

AVENGER™ 91

Particulate & Coalescing Filter

DASTECC



High performance filters providing the utmost flexibility for coalescing/particulate filtration needs!

The Avenger™ 91 Filters provide the utmost in flexibility for your coalescing and particulate filtration needs. The conventional 3-port model is a direct replacement for competitive vertically mounted sample filters. However, the 5-port model, with its two different porting configurations allows for greater mounting and application flexibility. These filters were specifically designed for analyzer sample conditioning applications by analyzer sample conditioning specialists.

Technical Specifications

Maximum pressure rating	3,750 psig
Maximum temperature	302°F (150°C)
Element size	Outside Diameter: ~ 0.85" Inside Diameter: ~ 0.5" Length: ~ 2.3"
Element types	07CFS = coalescer fluorocarbon (99.97%*) 07PI = particulate inorganic (99.97%*) 07PF = particulate fluorocarbon (99.97%*) 11PF = particulate fluorocarbon (95.0%*) SS10A = sintered stainless steel (10 micron) SS100A = sintered stainless steel (100 micron) *% of 0.1 micron particles retained
Port sizes	1/4" female NPT
Number of ports	3 or 5
Internal volume	27 cc
Wetted materials	Machined parts: 316/316L stainless steel / NACE compliant All other metal parts: stainless steel / NACE compliant Sealing material: Fluoroelastomer standard

Product Brief

Applications

- Continuous sampling in any process industry including natural gas, petrochemical, and oil refining.
- Analyzer protection against micron and sub-micron particles

Benefits

- Helps preserve sample integrity
- Analyzer protection
- Quick and easy to install and maintain
- Quick and easy element inspection
- Economical
- Flexible installation configuration

Features

- 3 or 5 port configuration
- Can be mounted horizontally or vertically
- All primary connection ports on the head

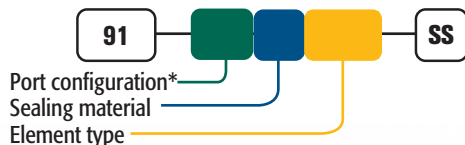


Model Numbering & Additional Part Numbers

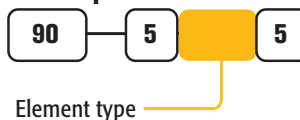
Your model number is determined by your specific needs. Choose options below.

Port configuration*	2/1 = 3 port (2 outer, 1 center)	4/1 = 5 port (4 outer, 1 center)	3/2 = 5 port (3 outer, 2 center)
Sealing material	0 = Fluoroelastomer	1 = Perfluoroelastomer	(other materials available upon request)
Element type	07CFS = 0.1 micron coalescer fluorocarbon	SS10A = 10 micron stainless steel	SS100A = 100 micron stainless steel
	07PI = 0.1 micron particulate inorganic	XX = no element	
	07PF = 0.1 micron particulate fluorocarbon		
	11PF = 0.1 micron particulate fluorocarbon		
Mounting bracket accessory	Vertical part # = 90-509-SS-V	Horizontal part # = 90-509-SS-H	

How to build the model number:

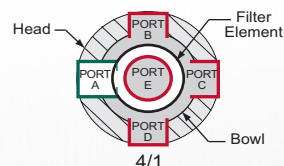
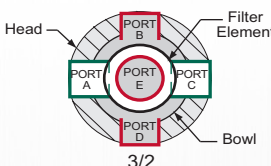
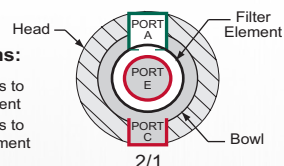


How to build the replacement filter element number:



*Port Configurations:

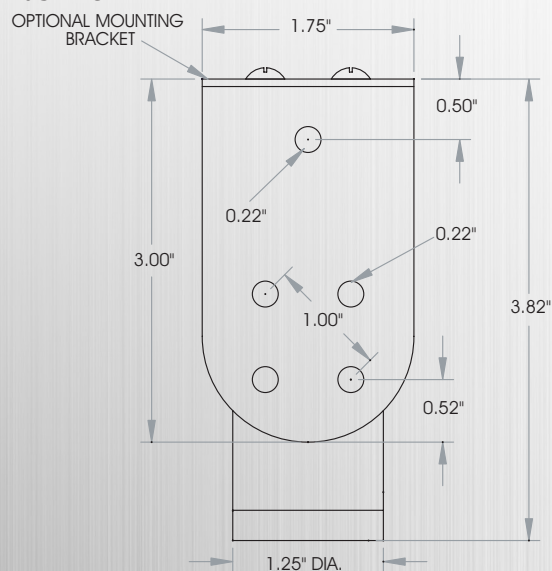
- Communicates to inside of element
- Communicates to outside of element



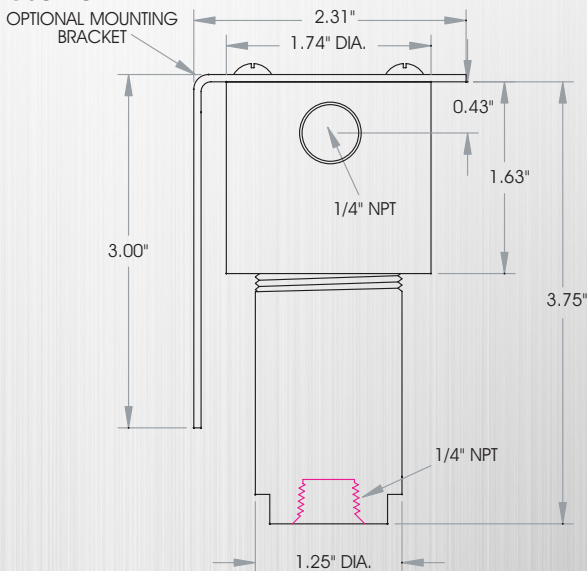
Not designed for external fire. Prior to use in a system, a properly sized relief device is to be installed which limits the use to 110% of the MAWP.

Dimensions

Back View



Side View



DASTEC S.R.L.

Representantes / Distribuidores Exclusivos

Argentina

Tel: (+54 11) 5352 2500

Email: info@dastecsr.com.ar

Web: www.dastecsr.com.ar

A+ Corporation is the leader in Analytically Correct™ Sample Extraction and Conditioning Systems.

Contact us for expert product application assistance.

sales@geniefilters.com > 225.644.5255 > Fax 225.644.3975

41041 Black Bayou Road, Gonzales, LA 70737 An ISO 9001:2008 Certified Company

Genie™, Avenger™, Liquid Block™, and Genie™ Membrane Technology™ are trademarks or registered trademarks of A+ Corporation, LLC. All other referenced trademarks are the property of their respective owners. © 2012 A+ Corporation. All rights reserved. SCC-Avenger91-PS_122018