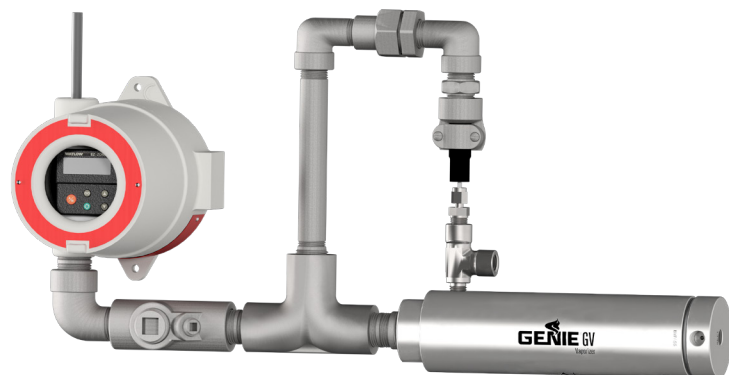




Vaporizer Installation & Operation Instructions



Manufacturing Contact Information

A+ Corporation, LLC *Call for expert product application assistance:*
 41041 Black Bayou Rd. Phone: (225)-644-5255 Website: www.geniefilters.com
 Gonzales, LA 70737 Fax: (225)-644-3975 E-mail: sales@geniefilters.com

Safety Warnings

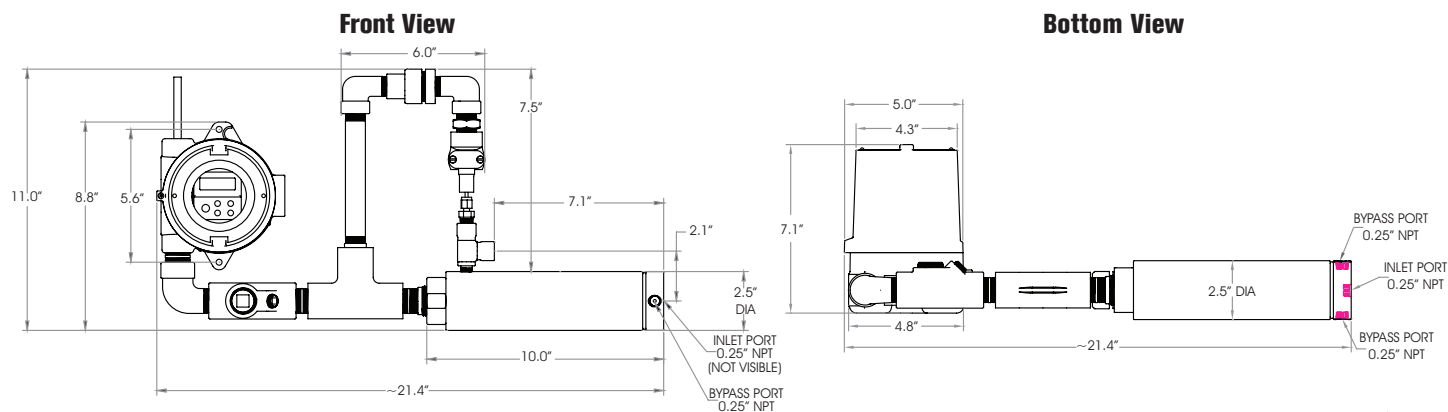
- ⚠ Failure to abide by the following safety warnings could result in serious injury or death:**
- ▶ Sealing fitting must be installed with access allowing the dams to be made and the sealing compound to be properly poured
 - ▶ Electrical power must be “OFF” before and during installation and maintenance.
 - ▶ Do not remove the temperature controller from the instrument enclosure; the wires may disconnect from the controller terminals
 - ▶ Do not exceed any equipment pressure ratings.
 - ▶ Surface temperatures will approach temperature limit specified in technical specifications. Gloves may be required for handling or adjustment.
 - ▶ Select a mounting location so that the enclosure will not be subjected to impact by heavy objects. Impacts can damage enclosed devices.
 - ▶ The hazardous location information specifying class and group listing of each instrument enclosure is marked on the nameplate of each enclosure.
 - ▶ All unused conduit openings must be plugged. Plugs must be a minimum of 1/8” thick and engage a minimum of 5 full threads.
 - ▶ Use care to prevent dirt, grit, or other foreign material from lodging on threads. If any such material settles on these threads, clean them with an approved solvent (to avoid the possibility of an explosion, oxidation, and corrosion, do not use gasoline or similar solvent), then re-lubricate with an approved thread lubricant.
 - ▶ All appropriate national, state and local electrical codes must be followed.

Technical Specifications

Technical Specifications

Maximum pressure rating	3,000 psig (206.8 Bar) at -40-300°F (-40-149°C)
Temperature control range	95-300°F (35-150 °C) The vaporizer temperature is factory set at 300°F (149°C).
Backup thermal cutoff	Opens at 338°F (170°C)
Internal volume	40cc
Port sizes	1/4" female NPT
Conduit connection	3/4" female NPT
Electrical approval	CSA Certified Assembly: File # 235766 Protection Type: Class 1, Division 1, Groups B, C & D, Temp Code T3 Ambient temperature: -0.4°F (-18°C) to 149°F (65°C)
Power requirements	110/240 VAC, 47-63 Hz
Power output	375 W @ 110 VAC 1,500 W @ 240 VAC
Wetted materials	Machined parts: 316/316L stainless steel / NACE compliant All other metal parts: stainless steel / NACE compliant Sealing material: Fluoroelastomer (other materials available upon request)

Dimensions



Installation Instructions

Warning

- ▶ Electrical power must be OFF before and during installation/maintenance or personal injury may result
- ▶ Do not exceed 5 minutes with power without fluid flow or the thermal cutoff will open the circuit.

Installing the Vaporizer

- ▶ Mount the vaporizer and its enclosure in accordance with the safety warnings listed previously.
- ▶ With all electrical power off, connect the power source to the wire pigtail as follows: black wire to line/hot, white wire to neutral, green wire to ground/earth.
- ▶ Connect the tubing inlet, bypass, and outlet fittings to the respective ports. Be sure to install a valve or plug on both bypass ports.
- ▶ A sealing fitting is required on the AC power supply to the enclosure.
- ▶ Add fiber and sealing compound to the sealing fittings. Sealing fittings are approved for use in hazardous locations only when fiber and sealing compound are used to make the seal.
- ▶ The vaporizer controller is preset to 300°F, if a different set temperature is required, remove enclosure cover and make adjustments using arrow keys. Replace enclosure cover when finished.
- ▶ Allow the vaporizer to be powered for 2-5 minutes @ 120 VAC, and no longer than 2 minutes at 220 VAC before starting liquid flow through the vaporizer.

Maintenance Note

Maintaining the Vaporizer

- ▶ Frequent inspection should be made. A schedule for maintenance checks should be determined by the environment and frequency of use. It is recommended that it should be at least once a year.
- ▶ Perform visual, electrical and mechanical checks on all components on a regular basis.
- ▶ Visually check for undue heating evidenced by discoloration of wires or other components, damaged or worn parts, or leakage evidence by water or corrosion in the interior.
- ▶ Electrically check to make sure that all connections are clean and tight and that the device is operating properly

Model Numbering & Additional Part Numbers

Model Numbering & Additional Part Numbers

Your model number is determined by your specific needs. Choose options below.

Sealing material 0 = Fluoroelastomer 1 = Perfluoroelastomer (other materials available upon request)

How to build the model number:

