

Features and Benefits



- User-configurable display of dewpoint in °C or °F dewpoint, ppm(v), ppb(v), ppm(w), g/m³ or lb/MMSCF, factory pre-configured to customer order
- Linear 0-20/4-20 mA isolated retransmission signal
- User input of pressure for pressure dewpoint conversion
- Natural Gas data built-in
- Programmed with mol weight of common gases for ppm(w) measurement, user programmable for other gases
- 5-digit primary display plus secondary display of selected unit
- 2 programmable alarm relays
- Front panel protection to IP55 / NEMA 12
- Keypad can be locked to prevent tampering
- Exd option for installation in Ex Hazardous areas. Flameproof to ATEX and IECEx Certification for use in potentially explosive atmospheres

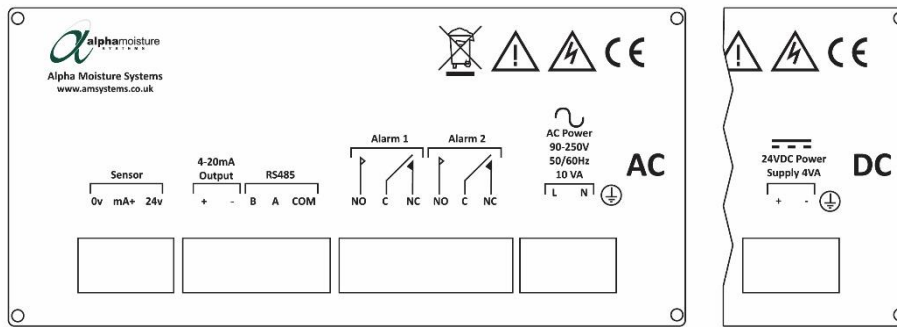
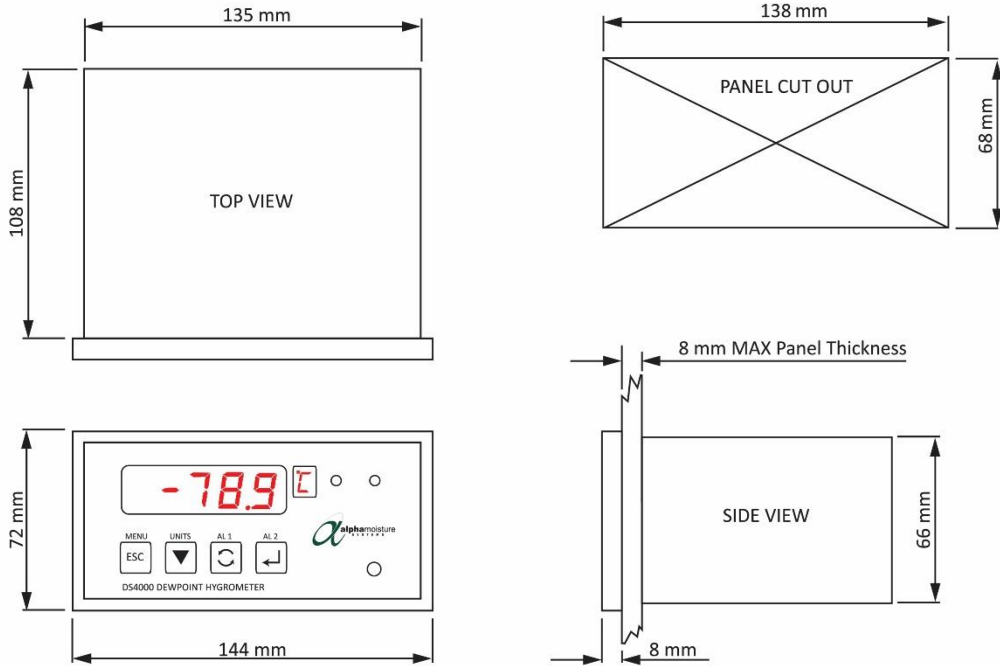
The DS4000 is a panel mounted single-channel Indicator specifically designed to work with an Alpha Moisture Systems online Transmitter for continuous trace moisture measurement in gases and dry compressed air and dry rooms/chambers.

The user can configure the DS4000 system to read in °C dewpoint, °F dewpoint, ppm(v), ppb(v), g/m³ or lbs/MMSCF. The measured value is displayed on a large five-digit LED display.

The DS4000 offers a selectable 0-20 mA or 4-20 mA isolated retransmission signal and two programmable alarm relays.

DS4000 Technical Data

Power Supply	85 Vac - 264 Vac 50/60 Hz or 24 Vdc
Output Signal	Linear 0-20/4-20 mA isolated retransmission signal
Alarm Relays	2 programmable alarm relays. Contacts rated 2 A @ 250 Vac / 1 A @ 24 Vdc
Power Consumption	AC 10 VA max DC 4 VA max
Electromagnetic Compatibility (EMC)	Complies with BS EN IEC 61326-1
Operating Temperature (Ambient)	-20 °C to 60 °C
Operating Humidity (Ambient)	Maximum 90 %RH Non-Condensing
Cut-out Dimensions	68 mm x 138 mm
Weight	470 g
Dimensions	Height 72 mm, Width 144 mm, Depth 108 mm
Ingress Protection	Front panel only IP54 / NEMA 3S
Manufacturer's Warranty	24 months in case of defective parts or faulty workmanship



How to Order

DS4000 Dewpoint Hygrometer – [X]

Specify input range:

[A] 4-20mA

[B] 0-20mA

DASTEC S.R.L.

Representantes / Distribuidores Autorizados

Argentina

Tel: (+54 11) 5352 2500

Email: info@dastecsr.com.ar

Web: www.dastecsr.com.ar

Related Products

The Dewpoint Transmitters and Isolator below are fully compatible with the DS4000 Dewpoint Hygrometer:



AMT-Ex
For Hazardous Applications



Isolator
Used with AMT-Ex & DS4000 in the Safe area



AMT
Used with DS4000 in the Safe area



PDT
Used with DS4000 in the Safe area

3037 DS4000 pd250822-ISS 1



Alpha Moisture Systems Ltd. Registered Office: Alpha House, 96 City Road, Bradford, BD8 8ES, UK
Registered in England No. 3902302 - VAT Registration No. GB607207563
WEEE Producer Registration No. WEEE/EA0067TX

Tel	+44 (0) 1274 733 100
Email	info@amsystems.co.uk
Web	www.amsystems.co.uk