



Gas



Liquid & Slurry



Solid & Powder



Steam & Water

SENTRY ISOLOK SAB SAMPLER

Point Samplers

AUTOMATIC SAMPLING

The Sentry® ISOLOK® SAB automatic point sampler is a larger capacity sampler that provides representative samples of liquids and slurries such as waste acid, resin bead slurry, bauxite mud and raw municipal sludge.

The ISOLOK SAB sampler operates when compressed air forces the plunger into the process line to capture a fixed volume of material. Compressed air then acts on the opposite side of the piston to retract the plunger to a position which allows the sample to drop by gravity into a container.

MODELS

ISOLOK SAB

BENEFITS

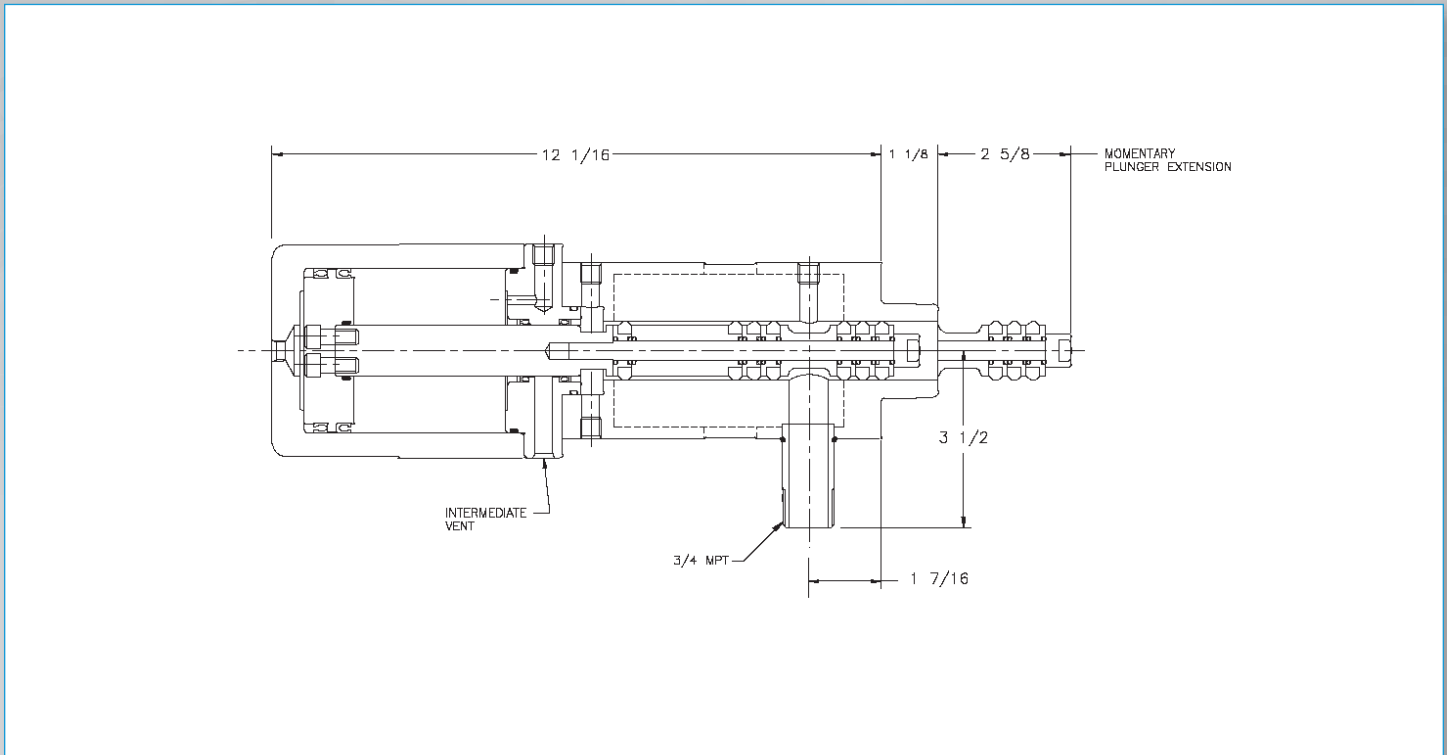
The Sentry ISOLOK SAB sampler seal design isolates the operator from the process at all times, with the sample captured in the container "locked out" from external influences.

Metal parts of the sampler are made of 316 stainless steel; other alloys are available for varied applications and process conditions. Process contact seals are filled Teflon for chemical applications or wear-resistant elastomers for abrasive slurries. Modular components allow selection of various bodies and plungers to meet different process applications.

FEATURES

- Two different models for sampling fixed volumes of 10 cc or 25 cc per sample cycle
- Handles line pressures from vacuum up to 300 psi (20.7 bar) in most applications
- Rugged 316 stainless steel construction
- Batch or composite sampling
- Options include port closures, different container types, sampler enclosures (with or without heater), sample heating or refrigeration, and optional materials of construction and seal choices
- ATEX-compliant models available





SPECIFICATIONS

sample volume per cycle	10 or 25 cc
maximum cycle frequency	10 strokes per minute, depending on application
maximum particle size	.375 in (9 mm)
line mounting options	MNPS thread, tri-clamp, instrument hub, bolted hub, ANSI flange
materials	316 stainless steel; other materials available
cylinder seals	Halar®, TFE or custom
plunger seals	TFE, polyurethane, EPDM rubber, Kalrez® or custom
compressed air requirement	2 SCFM at 90 psi (.05 m ³ /minimum at 6.2 bar)
dimensions	13.19 in x 4 in (33.5 cm x 10 cm)
shipping weight	28 to 32 lb (12.7 to 14.5 kg)

Kalrez is a registered trademark of E. I. Du Pont de Nemours and Company.
 Halar is a registered trademark of Ausimont, U.S.A. Inc.



Representantes / Distribuidores Exclusivos

Argentina

Tel: (+54 11) 5352 2500
 Email: info@dastecsrl.com.ar
 Web: www.dastecsrl.com.ar

Uruguay www.dastecsrl.com.uy

Paraguay www.dastecsrl.com.py

Bolivia www.tecdas.com.bo



COMPANY WITH
 QUALITY SYSTEM
 CERTIFIED BY DNV GL
 = ISO 9001 =